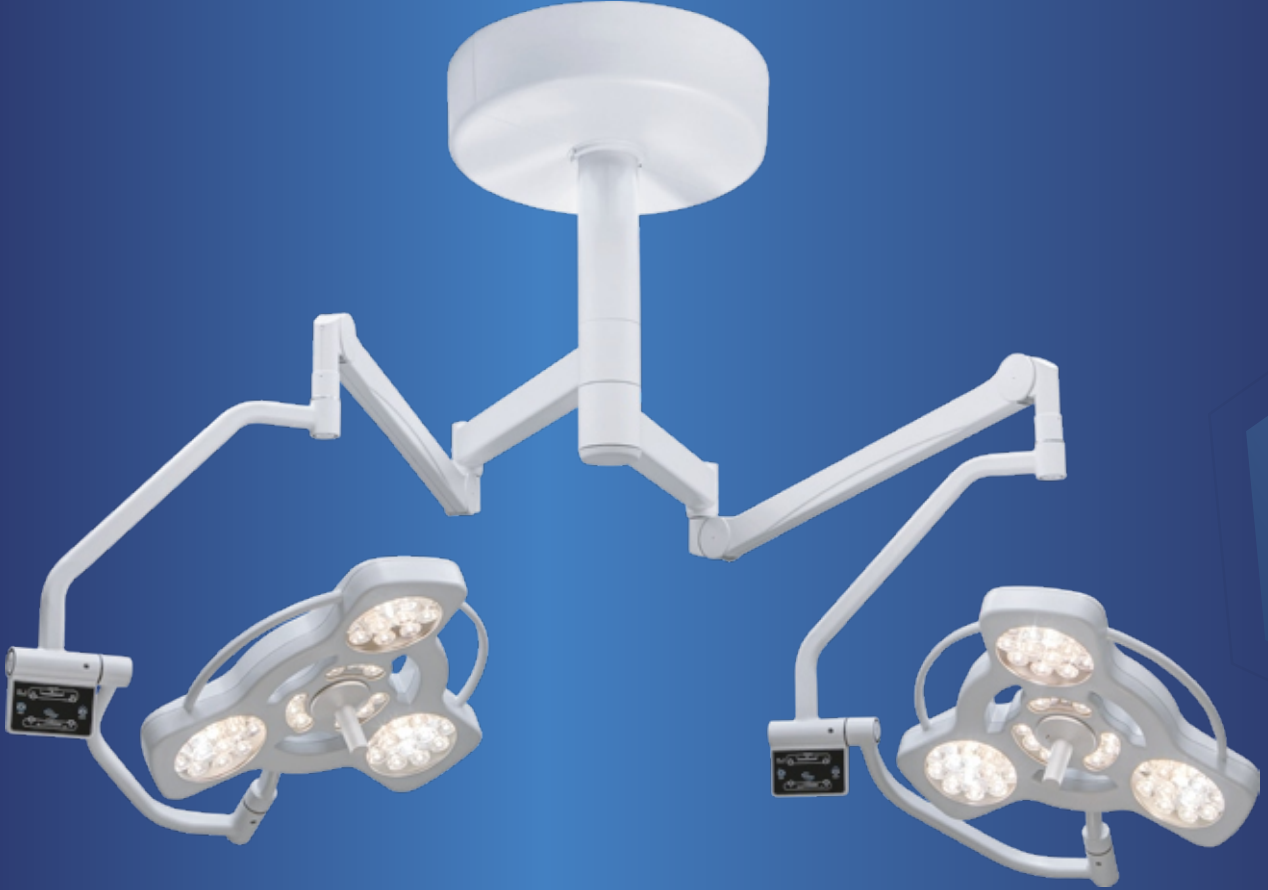
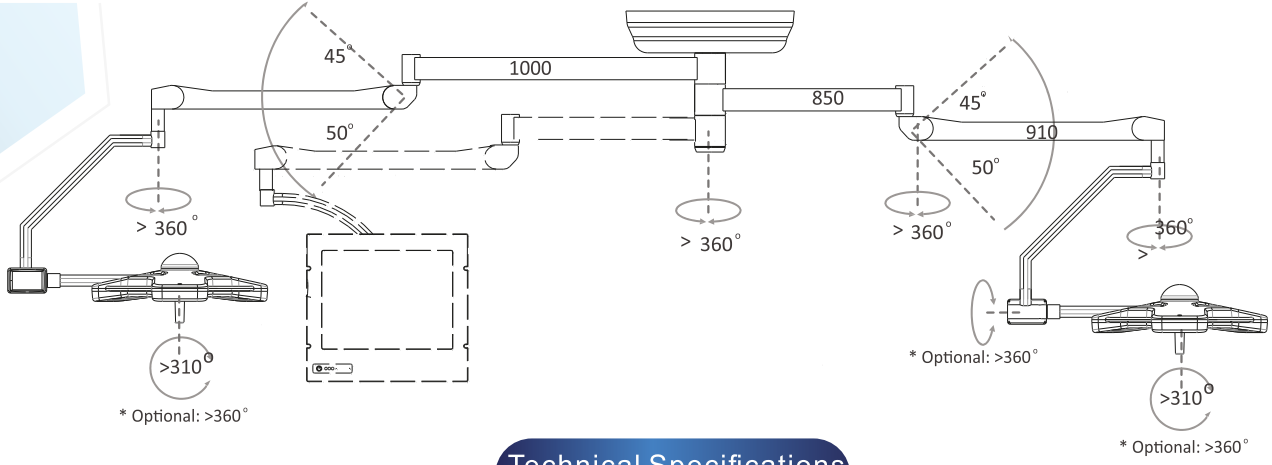


An Ecient View to Life for More Than Seeing



PERGAMON+
Double Head LED Surgical Light

Ceiling Operating Light System



Technical Specifications

Main Dome	160.000 Lux / 130.000 Lux
Satellite Dome	160.000 Lux / 130.000 Lux
Operating Voltage	220 V 50/60 Hz +/- %10
Color Temperature	3.500K – 5.000K / 5 Steps
Spot Diameter	14cm-30cm
Depth of light volume (20%)	>130 cm.
Depth of light volume (60%)	>78 cm.
Spot Adjustment (Narrow)	Electronic
Power Consumption	55 W
Maximum Illumination	For All Spot Diameter
Illumination (Lux)	160.000(20%-100%)/10 Steps 130.000(20%-100%)/10 Steps
Endoscopy Mode	Yes
CRI R ^a	>96
CRI R ⁹	>97
LED Life	60.000 hours
Radiant Energy Ratio	< 3,5 mW/m ² Lux
IP54	Yes
Accessories	Sterilizable Handle
Diameter	65 cm
Material	Aluminium, Smooth Surfaces, Rounded Curves
Easy & Fast Cleaning	Yes
Laminar Flow	Yes

Optionals

Battery
Camera Infrastructure
4K Camera / Full HD Medical Camera
14cm-32cm Spot Diameter
Wireless/Cable Wall Panel
Head Sensor
Proximity Sensor
Electronic+Electro Motorized (Spot Diameter)
External Endo Mode
Dual Control Panel (Twin Panel) - DUCOP
4K/Full HD Medical Monitor
Recorder